

SITE PLAN  
(ASBUILT)

# CIC NUMBER 191

## A CONDOMINIUM, BOULDER RIDGE TOWNHOMES

### FOURTH SUPPLEMENTAL CIC PLAT

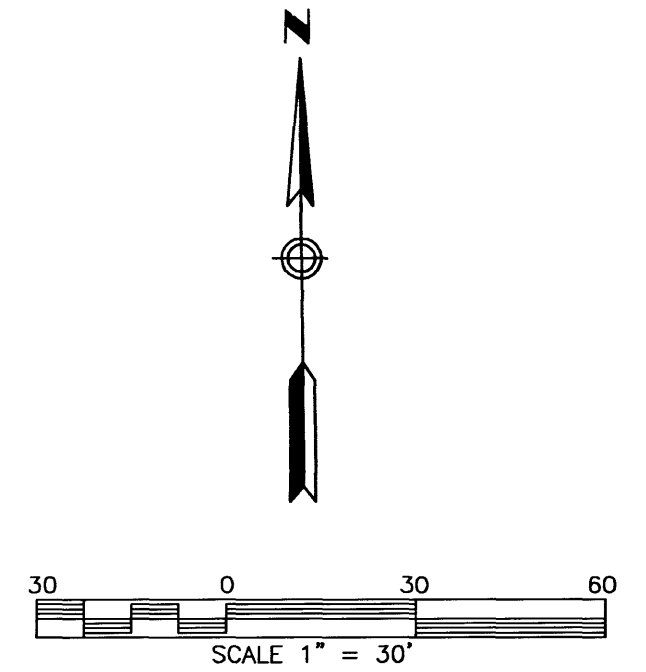
This Fourth Supplemental CIC Plat is part of the Fourth Amended Declaration recorded as

Document No. \_\_\_\_\_ A-958942 \_\_\_\_\_

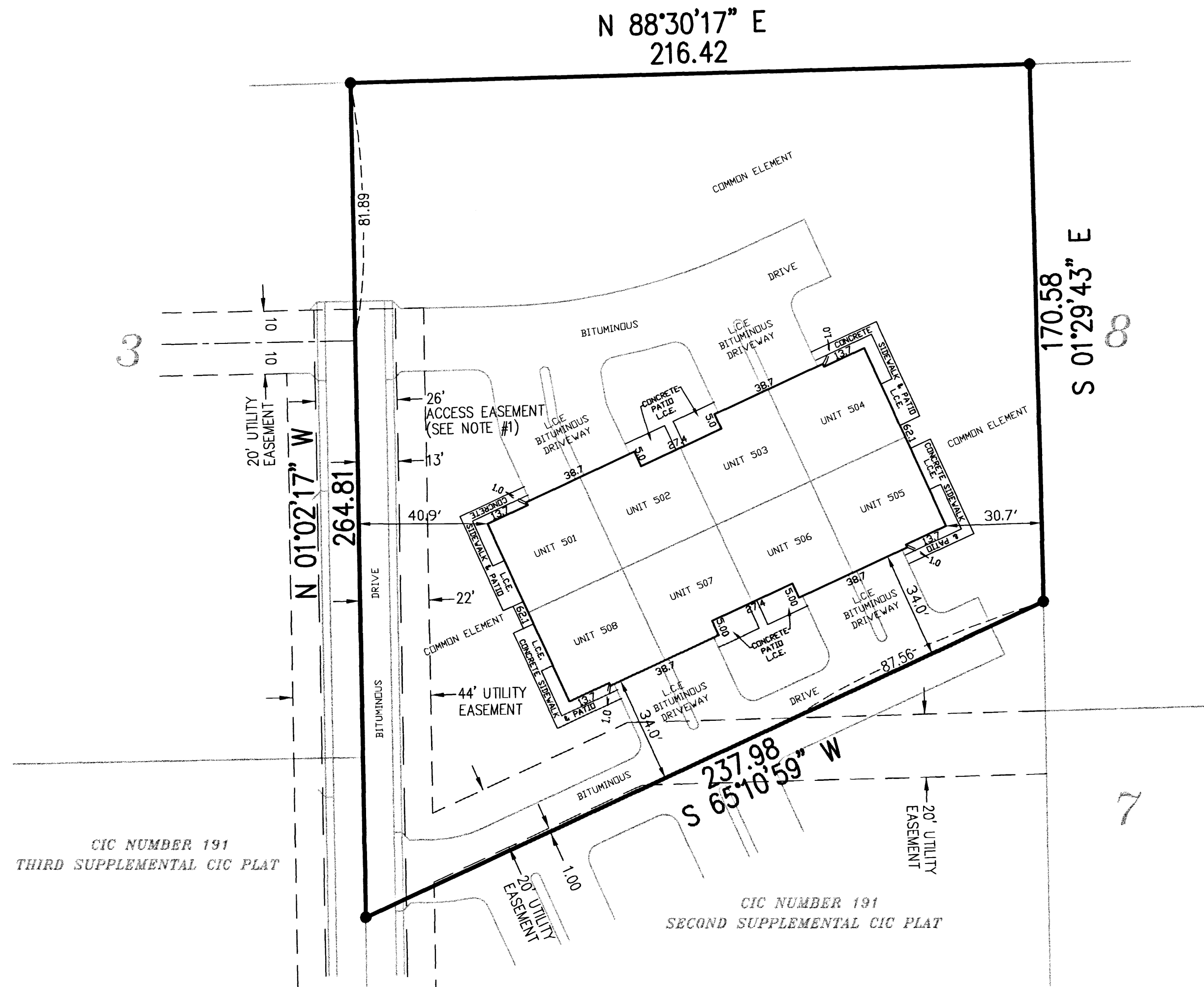
on this 12th day of MARCH, 2003.

Daniel G. Hall  
Director of Property Records and Licensing

Wendy von Wald  
Deputy



**B.M. ELEV. 1108.38**  
TOP HYDRANT NUT @ EAST SIDE OF  
LOT 2 BLK 1, BOULDER RIDGE.



NOTE#1  
DECLARATION OF PRIVATE ACCESS EASEMENTS  
RECORDED AS DOC. NO. A-897726 AND ALSO  
AMENDED AND RESTATED DECLARATION OF  
PRIVATE ACCESS EASEMENTS RECORDED AS DOC.  
NO. A-936006

NOTE:

ALL MONUMENTS SHOWN THUS: ●  
ARE FOUND 3/8" PIPES UNLESS OTHERWISE  
NOTED.

BASIS OF BEARING SYSTEM :  
ALL BEARINGS ARE IN RELATIONSHIP WITH THE  
WEST LINE NE 1/4, SEC 9-107-14 WHICH IS  
ASSUMED TO BE N01°02'17"W.

DIMENSIONS SHOWN ARE IN FEET AND TENTHS  
OF A FOOT.

ALL LABELS SHOWN THUS: L.C.E.  
ARE LIMITED COMMON ELEMENTS.

ALL LABELS SHOWN THUS: C.E.  
ARE COMMON ELEMENTS.

SURVEYOR'S CERTIFICATE

I, James E. Swanson, do hereby certify that the work was undertaken by or reviewed and approved by me for this CIC Plat of COMMON INTEREST COMMUNITY NO. 191, A CONDOMINIUM, BOULDER RIDGE TOWNHOMES FOURTH SUPPLEMENTAL CIC PLAT being located upon the following described property:

Lot 4, Block 1, BOULDER RIDGE, Olmsted County, Minnesota, according to the recorded plat thereof,

and the additional real estate described as follows:

Lots 3, 7, 8, 9 and 10, Block 1 and Lots 1 through 7, Block 4, and Outlot A, BOULDER RIDGE, Olmsted County, Minnesota, according to the recorded plat thereof,

fully and accurately depicts all information required by Minnesota Statutes, Section 515 B, 2 - 110.

Dated this 12 day of MARCH, 2003.

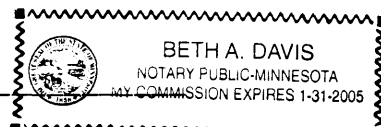
James E. Swanson  
James E. Swanson L.S., Minnesota License No. 11622.

STATE OF MINNESOTA  
COUNTY OF DODGE

The foregoing instrument was acknowledged before me this 12 day of MARCH, 2003, by James E. Swanson, a Licensed Professional Surveyor.

Beth A. Davis  
Notary Public, Dodge County, Minnesota

My commission expires on 1-31-2005



PROPERTY RECORDS AND LICENSING

Taxes payable in the year 2003 on the land herein described have been paid, there are no delinquent taxes and transfer has been entered this 12th day of MARCH, 2003.

Daniel G. Hall  
Director of Property Records & Licensing  
Wendy von Wald  
Deputy

COUNTY SURVEYOR

Pursuant to Minnesota Statutes, Chapter 389.09, Subd. 2, this CIC Plat has been reviewed and is approved this 12 day of MARCH, 2003.

Edward P. Kinell  
County Surveyor

ENGINEER'S CERTIFICATE

I, Michael E. Gowin, pursuant to Minnesota Statutes, Section 515B.2-101(c), do hereby certify that all structural components and mechanical systems serving more than one unit in all buildings containing the units thereby created are substantially completed.

Dated this 12 day of MARCH, 2003.

Michael E. Gowin  
Michael E. Gowin, Licensed Professional Engineer  
Minnesota License No. 15752

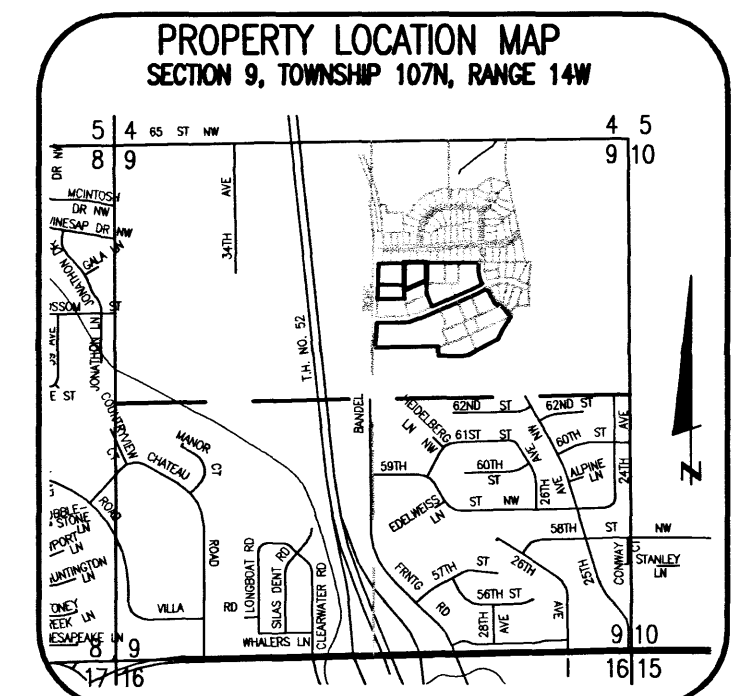
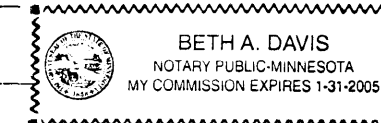
ENGINEER ACKNOWLEDGMENT

STATE OF MINNESOTA  
COUNTY OF DODGE

The foregoing instrument was acknowledged before me this 12 day of MARCH, 2003, by Michael E. Gowin, a Licensed Professional Engineer.

Beth A. Davis  
Notary Public, Dodge County, Minnesota

My commission expires on 1-31-2005

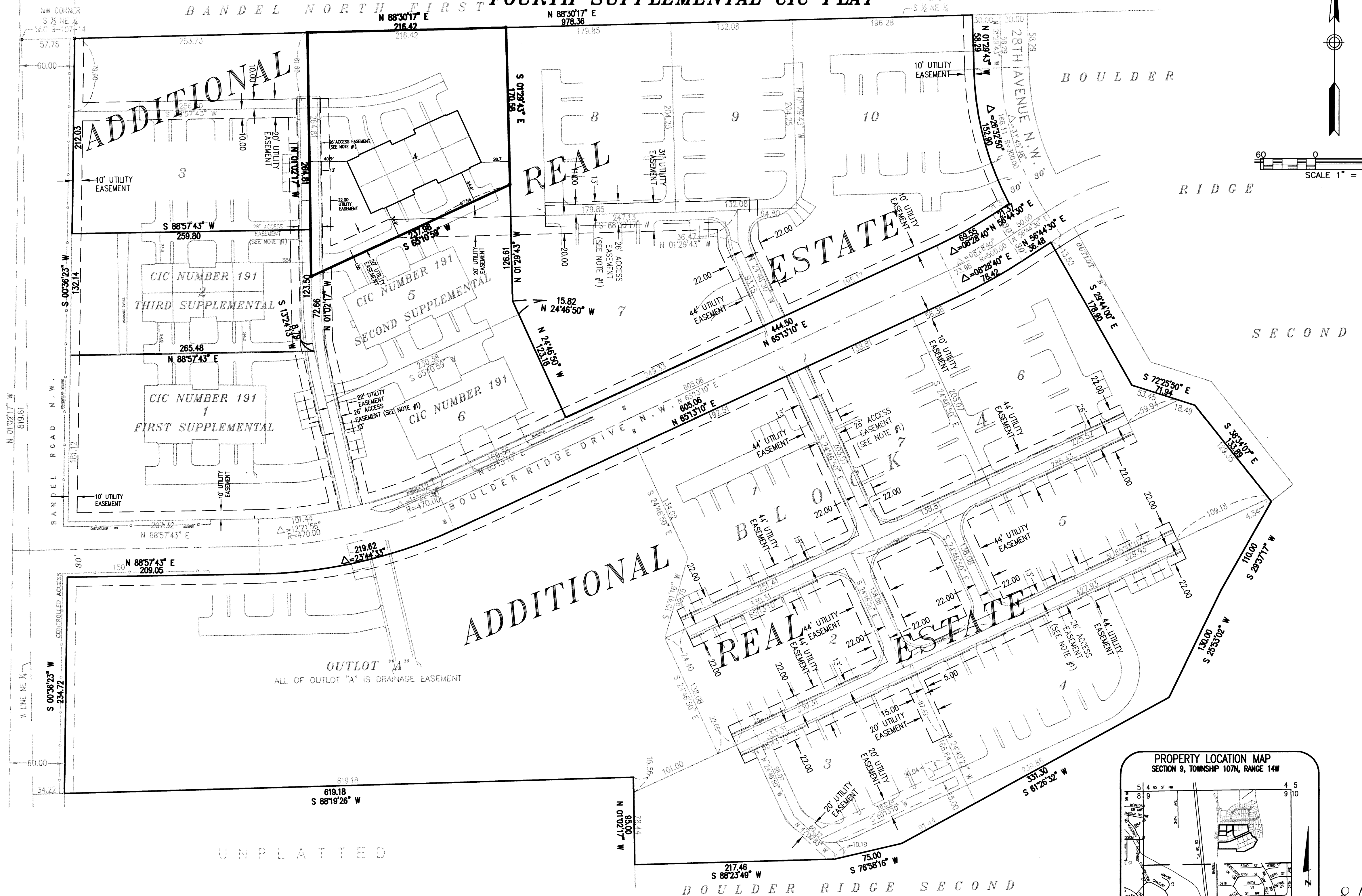
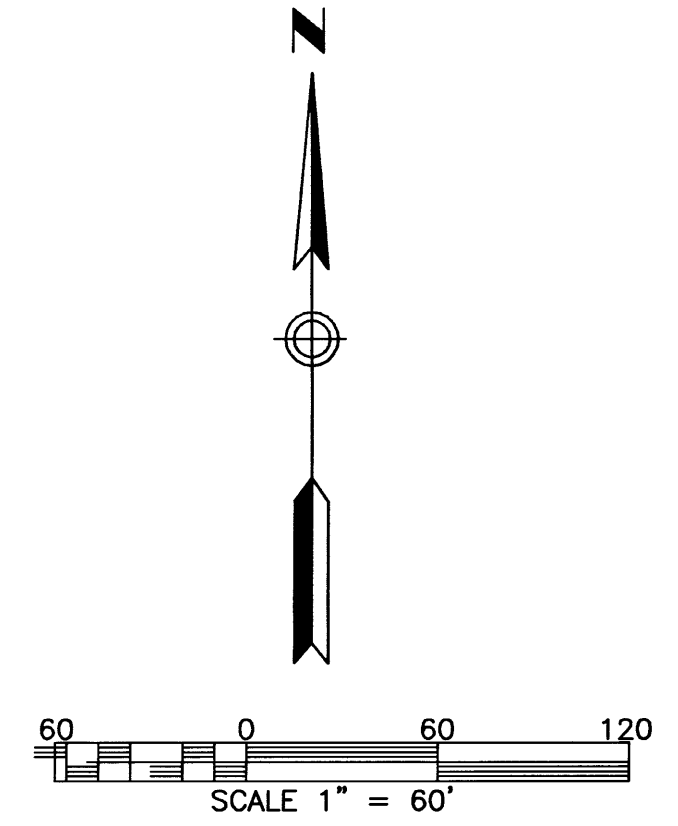


PREPARED BY: 844A  
McGHEE & BETTS, INC.  
CONSULTING ENGINEERS  
PLANNERS, LAND SURVEYORS  
ROCHESTER, MINNESOTA

# CIC NUMBER 191

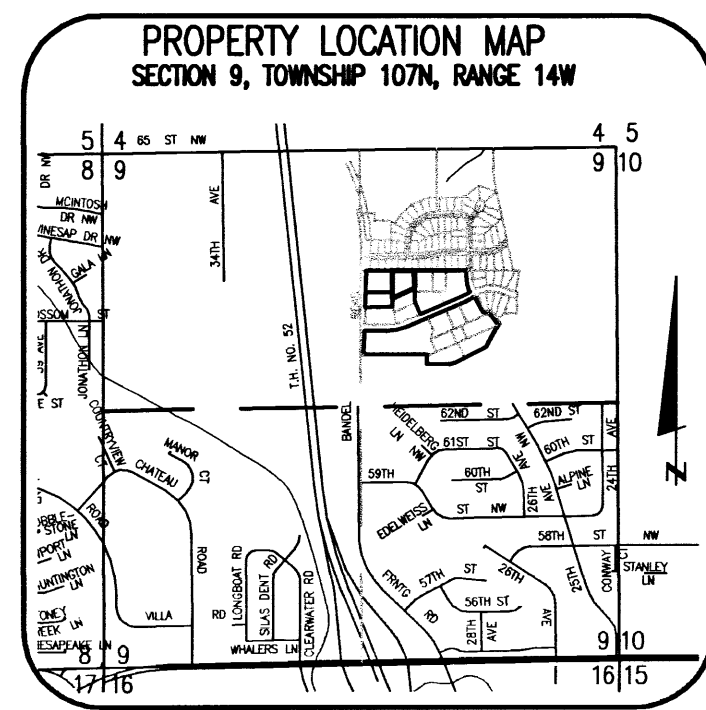
## A CONDOMINIUM, BOULDER RIDGE TOWNHOMES

### FOURTH SUPPLEMENTAL CIC PLAT



NOTE#1  
DECLARATION OF PRIVATE ACCESS EASEMENTS  
RECORDED AS DOC. NO. A-89726 AND ALSO  
AMENDED AND RESTATED DECLARATION OF  
PRIVATE ACCESS EASEMENTS RECORDED AS DOC.  
NO. A-936006

BASIS OF BEARING SYSTEM :  
ALL BEARINGS ARE IN RELATIONSHIP WITH  
THE WEST LINE NE 1/4 SEC 9-107-14  
WHICH IS ASSUMED TO BE N 01°02'17" W.



844B

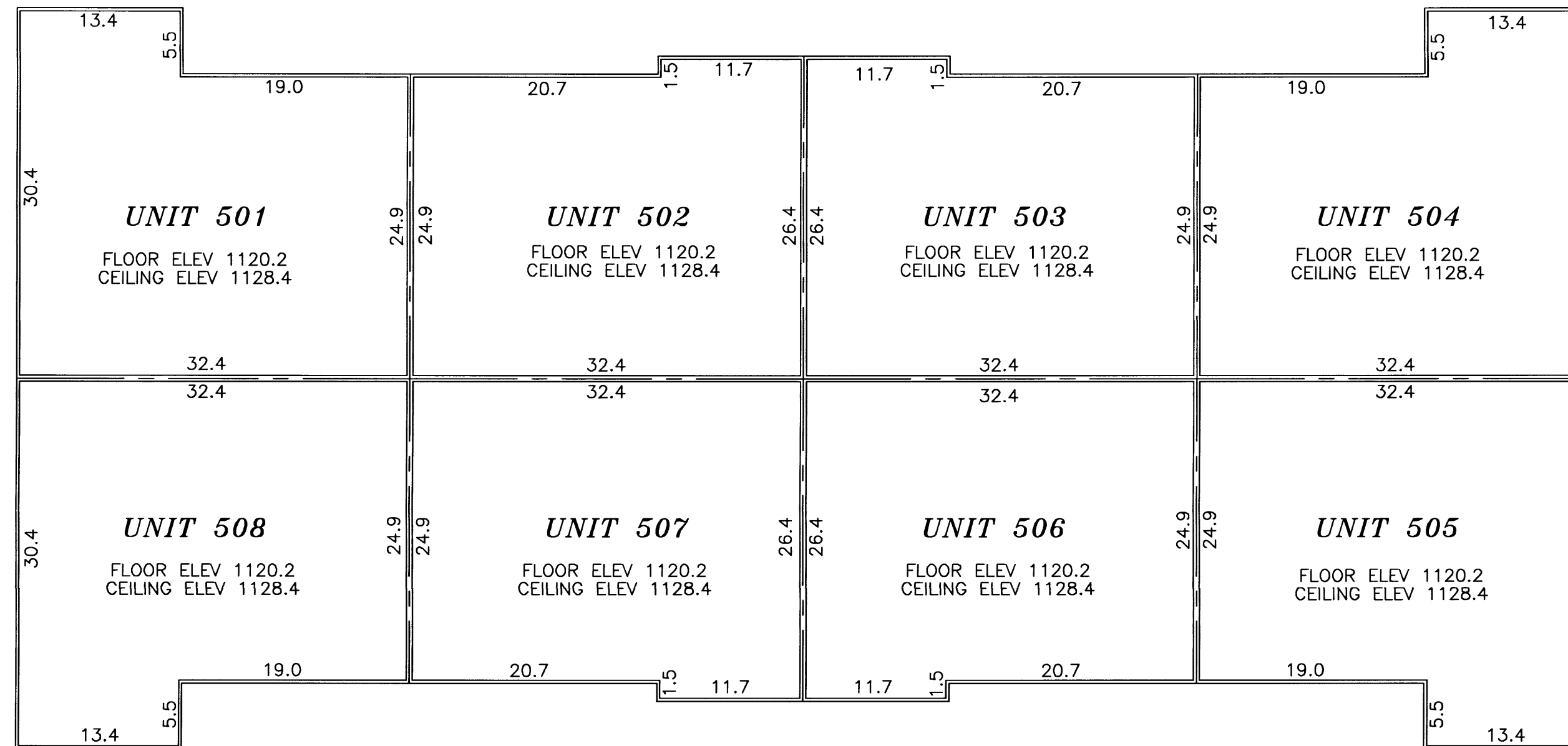
PREPARED BY:  
MCGHIE & BETTS, INC.  
CONSULTING ENGINEERS  
PLANNERS, LAND SURVEYORS  
ROCHESTER, MINNESOTA

# CIC NUMBER 191

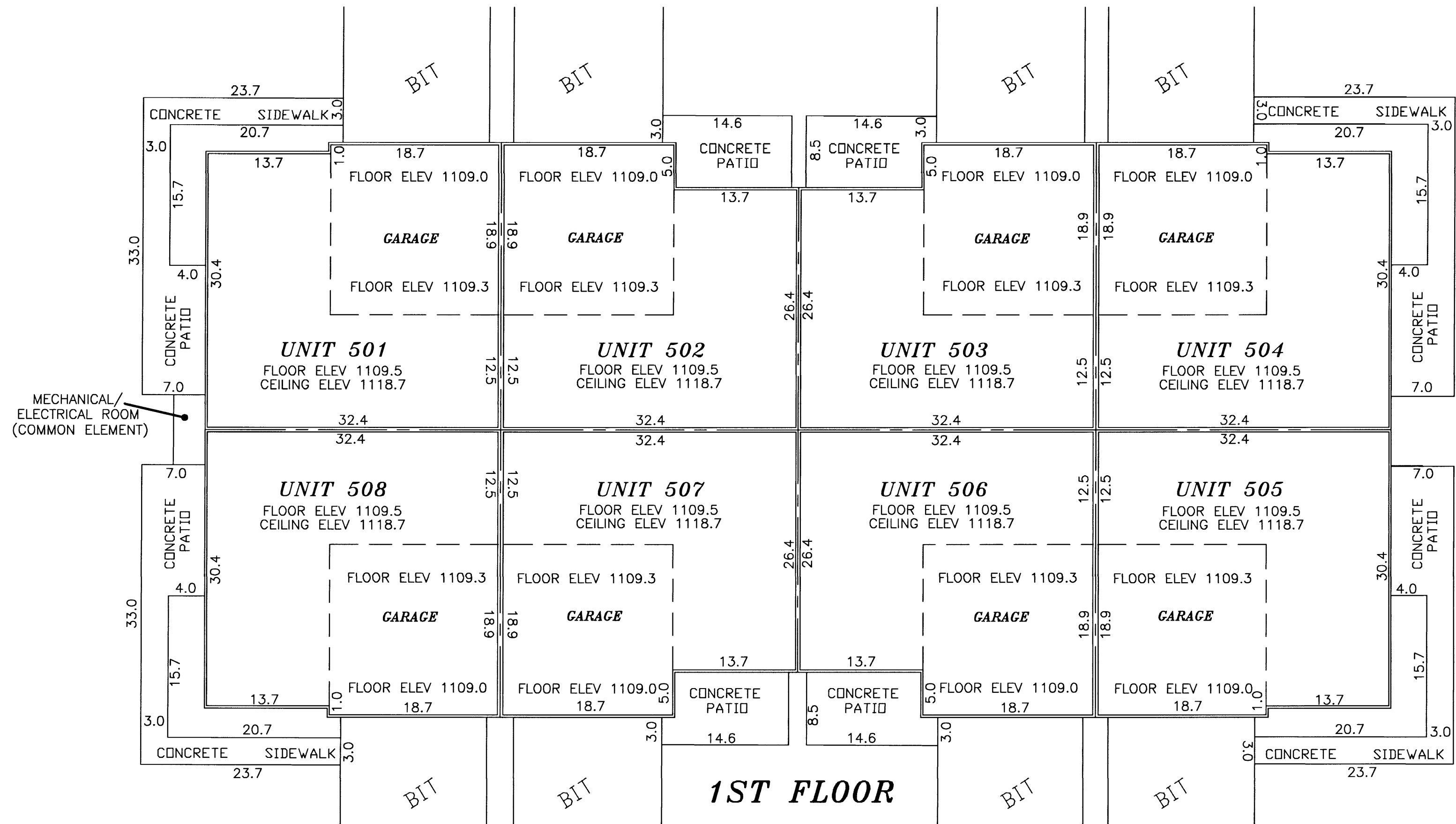
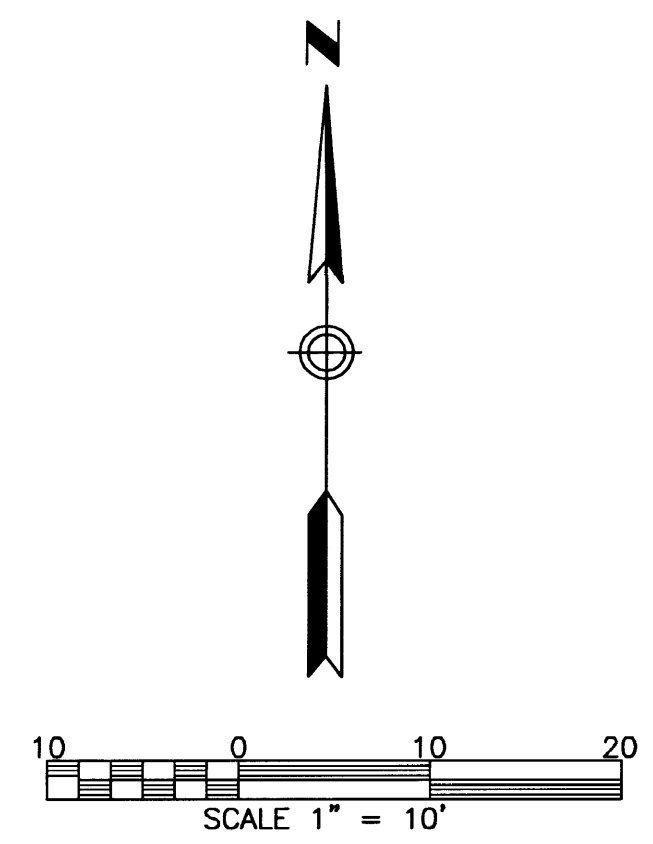
## A CONDOMINIUM, BOULDER RIDGE TOWNHOMES

### FOURTH SUPPLEMENTAL CIC PLAT

UNIT DETAIL  
(ASBUILT)



2ND FLOOR



**B.M. ELEV. 1108.38**  
TOP HYDRANT NUT @ EAST SIDE OF LOT 2 BLK 1

NOTES:  
DIMENSIONS SHOWN ARE IN FEET AND TENTHS OF A FOOT.  
ALL UNIT DIMENSIONS ARE TO THE FACE OF WOOD STUD FRAMING.

8446  
PREPARED BY:  
MCGHIE & BETTS, INC.  
CONSULTING ENGINEERS  
PLANNERS, LAND SURVEYORS  
ROCHESTER, MINNESOTA