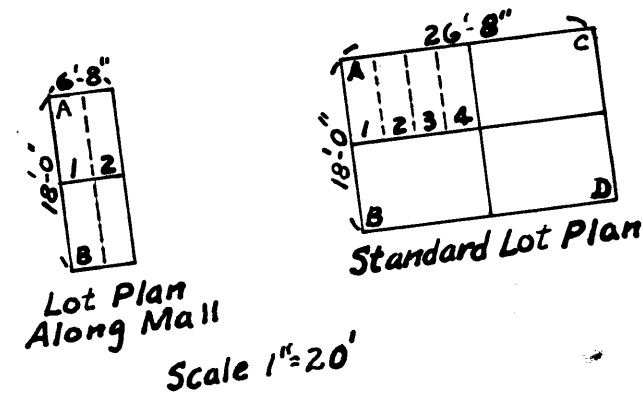
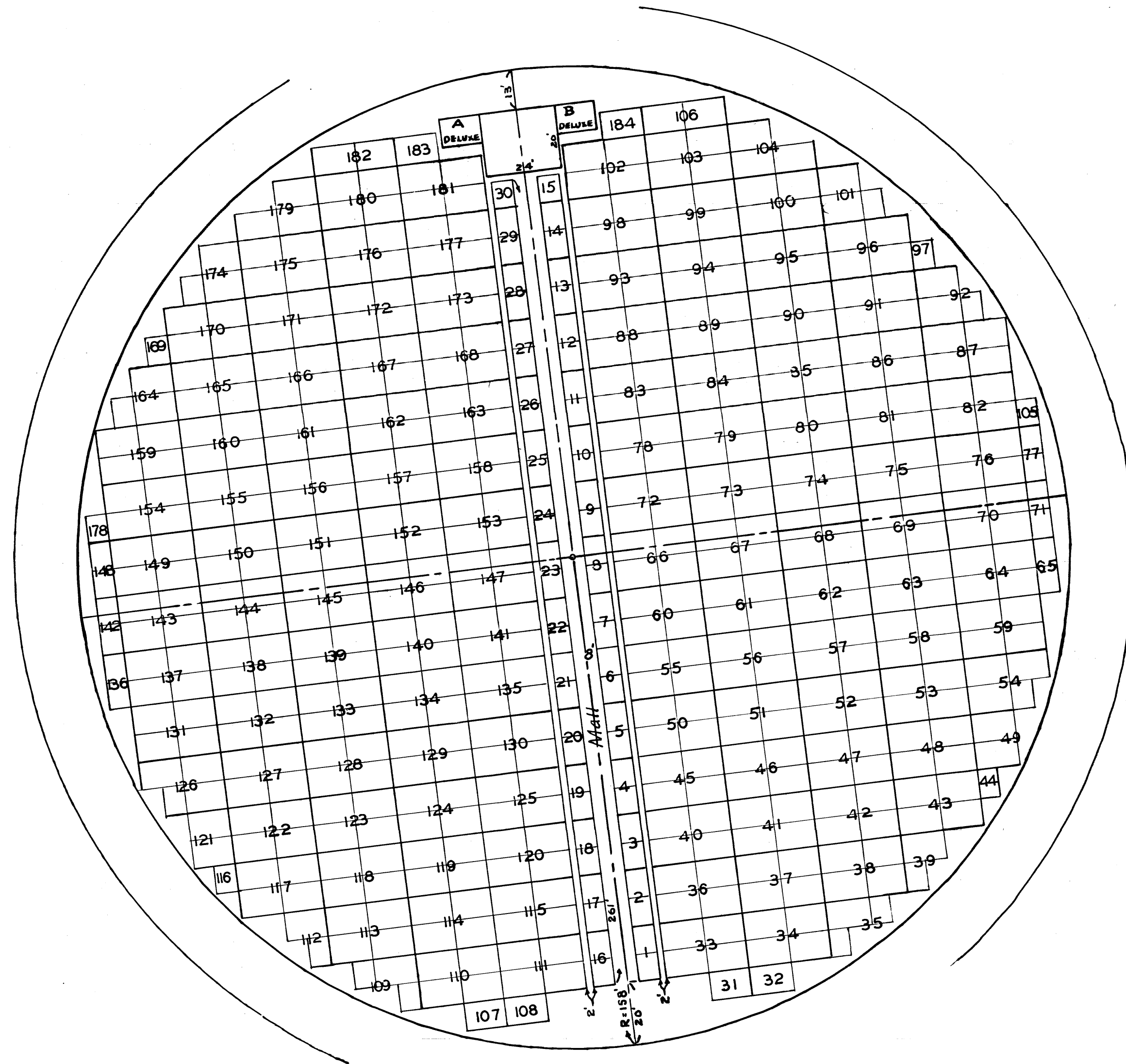


CHRISTUS GARDEN



Scale 1"=30'

SURVEYORS CERTIFICATE.
I, John J. Kerr, Surveyor, do hereby certify that the foregoing plat is a correct map of a portion of Grand View Memorial Gardens, situated in the northwest quarter (1/4) of the northwest quarter (1/4) of section seven (7) Township one hundred six (106) North of Range thirteen (13) West, and in the northeast quarter (1/4) of the northeast quarter (1/4) of section twelve (12) Township one hundred six (106) North of Range fourteen (14) West in Olmsted County, Minnesota, as surveyed and laid out by me under the direction of the board of trustees of the Grand View Memorial Park Association Inc., Said portion to be known and designated as "CHRISTUS GARDEN", That the plat is a correct representation of said survey as made, That the sizes of all lots are as shown by the Typical Lot Section, That all walks, Driveways and border sections have the correct dimensions given on the plat; That monuments for the guidance of future surveys have been placed in the ground at the points indicated thus o, That outside boundary lines are designated on said plat.
Dated March 31.....1950.

John J. Kerr, County Surveyor.
Registered Land Surveyor No. 238.



The foregoing is a map of a portion of "Grand View Memorial Gardens" as recorded in the office of the Register of Deeds, Olmsted County, Minnesota, Owned by the Grand View Memorial Park Association Inc. situated in the northwest quarter (1/4) of the northwest quarter (1/4) of section seven (7) Township one hundred six (106) North of Range thirteen (13) West, and in the northeast quarter (1/4) of the northeast quarter (1/4) of section twelve (12) Township one hundred six (106) North of Range fourteen (14) West, in Olmsted County, Minnesota, to be known and designated as "CHRISTUS GARDEN" as surveyed by John J. Kerr, Surveyor under the direction of the board of trustees of said association.
Dated March 31.....1950.

Witness *Kenneth J. Hahn*... By Attest... *Ray L. Johnson*...
President.
Witness... *S. M. Grant*... *Paul F. Clarkson*...
Secretary.

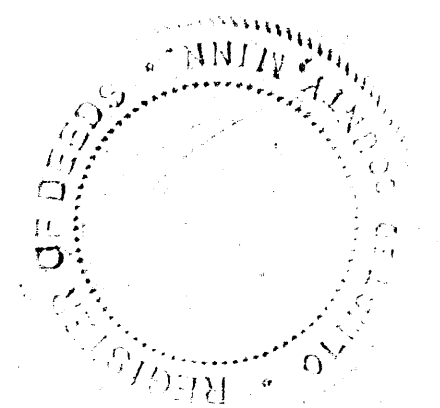
State of Minnesota,
County of Olmsted, S. S. March... A.D. 1950 Before me a Notary Public in this aforesaid County, Personally appeared Ray L. Johnson and Paul F. Clarkson to me personally known, Who being by me sworn did say that the said Ray L. Johnson is the President and the said Paul F. Clarkson is the Secretary of the corporation named in the foregoing instrument and that the seal affixed to said instrument is the corporate seal of said corporation and that said instrument was signed and sealed in behalf of said corporation by authority of the board of trustees, and Ray L. Johnson and Paul F. Clarkson acknowledge said instrument to be the free act and deed of said corporation.

J. G. Wood... Notary Public.
My commission expires *Sept. 1, 1952*



State of Minnesota,
County of Olmsted, S. S.
I, M. F. Little, Register of Deeds in and for said County do hereby certify that the foregoing plat and instrument were filed in this office on this *5*... Day of *March*... A.D. 1950 at *10*... O-Clock... M in Book of plats Page.....

M. F. Little, Register of Deeds.
W. E. Wood, Deputy.



GRAND VIEW MEMORIAL GARDENS ROCHESTER, MINN.